



RDAB5-24A

Damper actuator, 5 Nm

Damper actuator for control of dampers in ventilation systems.

- Torque 5 Nm
- For dampers up to approximately 1 m²
- Power supply 24 V AC/DC
- 0...10 V DC control signal
- 2...10 V DC working range

RDAB5-24A is a damper actuator for control of dampers in ventilation systems. The actuator is controlled by means of a standard control signal 0...10 V DC. It opens to the position dictated by this signal. The measuring voltage U allows the damper position (0...100%) to be electrically indicated and serves as a follow-up control signal for other actuators.

Simple direct mounting

The damper actuator is easily mounted on the damper spindle with the universal spindle clamp. The actuator is supplied with an anti-rotation strap that prevents it from rotating.

Function

Manual operation is possible with the self-resetting pushbutton (the gearing latch remains disengaged as long as the pushbutton is pressed).

The angle of rotation is adjustable with mechanical end stops.

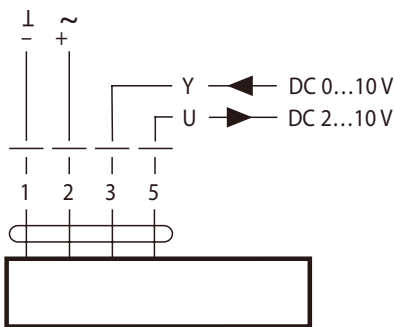
High functional reliability

The actuator is overload-proof, requires no limit switches and stops automatically when the end stop is reached.

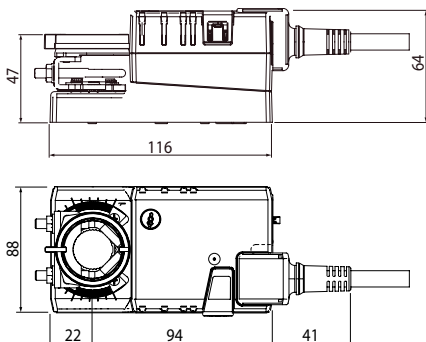
Technical data

Supply voltage	24 V AC 50/60 Hz, 24 V DC
Power consumption	
In operation (at nominal torque)	1 W
At rest	0.4 W
For wire sizing	2 VA
Control signal input Y	0...10 V DC, input impedance 100 kOhm
Working range	2...10 V DC
Measuring voltage	2...10 V DC, max. 1 mA
Position accuracy	+/- 5%
Direction of rotation	Selectable with switch
Torque	Min. 5 Nm at nominal voltage
Angle of rotation	Max. 95°, adjustable 0...100% with mechanical end stops
Running time actuator	150 s
Sound power level	Max. 35 dB (A)
Position indication	Mechanical
Protection class	IP54
Ambient temperature	-30...+50°C
Storage temperature	-40...+80°C
Weight	500 g
CE	The product conforms with the requirements of European EMC standard 89/336/EEC and carries the CE-mark.

Wiring



Dimensions



Damper spindle	Length	⊙ I ◇
	min. 37	6 ... 20

Measurements in mm

Head Office Sweden
 Phone: +46 31 720 02 00
 Web: www.regin.se
 Mail: info@regin.se

Sales Offices
 France: +33 14 171 46 46
 Hong Kong: +852 24 07 02 81
 Singapore: +65 67 47 82 33
 Germany: +49 30 77 99 40

REGIN

THE CHALLENGER IN BUILDING AUTOMATION