



# ABV-300/D

## Control unit for smoke detectors

The ABV-300/D control unit is used together with smoke detectors in the series S65, S50, S65-OE and S50-OE-GA4.

The control unit provides power for connected smoke detectors and transmits smoke and service alarms.

- For detectors with or without service alarm
- For supply voltage 24 V AC/DC or 230 V AC
- Two relay contacts for alarms

### Function

ABV-300/D is designed with state of the art technology to satisfy all the requirements of a reliable fire protection unit. The control unit continuously monitors that the power supply and current values are normal.

A green LED indicates that the power supply is switched on.

The control unit is connected to the smoke detectors by means of a two-wire loop.

Up to 20 detectors can be connected to the same control unit. An end resistor should be connected to the last detector to end the loop.

### Alarm for loop failure

In the event of a short-circuit or open circuit in the detector loop, the control unit will activate the smoke alarm relay.

- Serves both optical and ionising smoke detectors
- LEDs for operation, smoke alarm and service alarm
- Compact design for DIN-rail mounting

### Smoke alarm

When a detector senses smoke, the red LED goes on and the alarm relay denoting a smoke alarm is activated. After an alarm signal, the unit is reset using the RESET button on the front.

### Service alarm

There is a service alarm function on the models ABV-S-300/D and ABV24-S-300/D. When a detector with service alarm becomes contaminated, a yellow LED will light up on the control unit and the service alarm relay is activated.

### No service alarm

For detectors without service alarm, the models ABV-300/D and ABV24-300/D should be used.

## Models

Control unit	Service alarm	Supply voltage
ABV-300/D	No	230 V AC
ABV24-300/D	No	24 V AC/DC
ABV-S-300/D	Yes	230 V AC
ABV24-S-300/D	Yes	24 V AC/DC

## Technical data

Supply voltage	24 V AC/DC or 230 V AC +/-10 %, 50-60 Hz	
Power consumption	Normal operation 30 mA	
Ambient temperature	-10...+45°C, non-condensing	
Material cover	White makrolon plastic	
Mounting	DIN-rail	
Protection class	IP20	
Weight	0.16 kg (24 V)	0.23 kg (230 V)

### Input

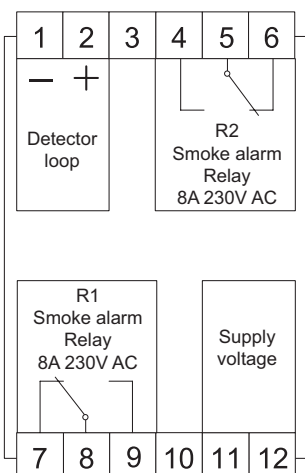
For detector type	S65, S50, S65-OE, S50-OE-GA4
Max. current in the alarm loop	70 mA
End resistor	2.2 kOhm (connected to the last detector in the loop)

### Outputs

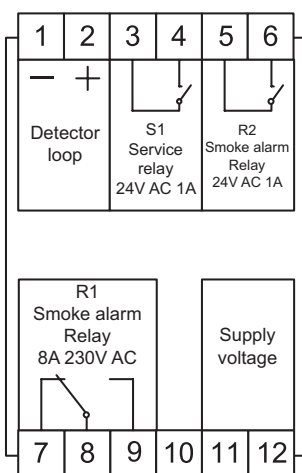
Smoke alarm	Relay R1:	change-over contact 230 V AC 8 A
	Relay R2:	(...-300/D ): change-over contact 230 V AC 8 A (...-S-300/D): closing contact 24 V AC 1 A
Service alarm (type ...-S-300/D)	Relay S1:	closing contact 24 V AC 1 A

## Wiring

ABV...-300/D



ABV...-S-300/D

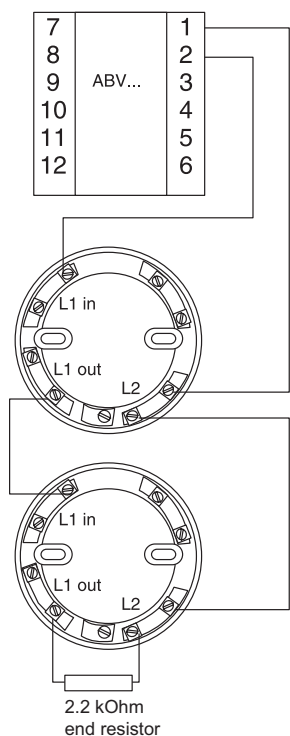


**Relay R1** In the event of an alarm: The contact closes between 8-9.

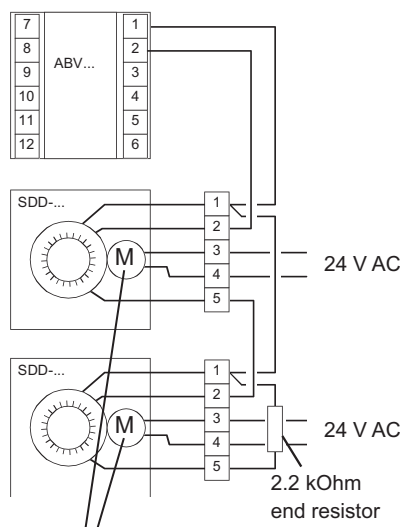
**Relay R2** Type ABV...-300/D  
In the event of an alarm: The contact closes between 4-5.  
Type ABV...-S-300/D

In the event of a service alarm: The contact closes between 5-6.  
**Relay S1** In the event of a service alarm: The contact closes between 3-4.

S65, S50, S65-OE, S50-OE-GA4

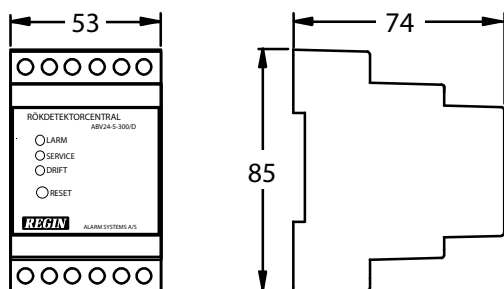


SDD...



The auxiliary fan is an accessory

## Dimensions



Measurements in mm

**Head Office Sweden**  
Phone: +46 31 720 02 00  
Web: www.regin.se  
Mail: info@regin.se

**Sales Offices**  
France: +33 1 41 71 00 34  
Germany: +49 30 77 99 40  
Spain: +34 91 473 27 65  
Hong Kong: +852 24 07 02 81  
Singapore: +65 67 47 82 33

**REGIN**

THE CHALLENGER IN BUILDING AUTOMATION